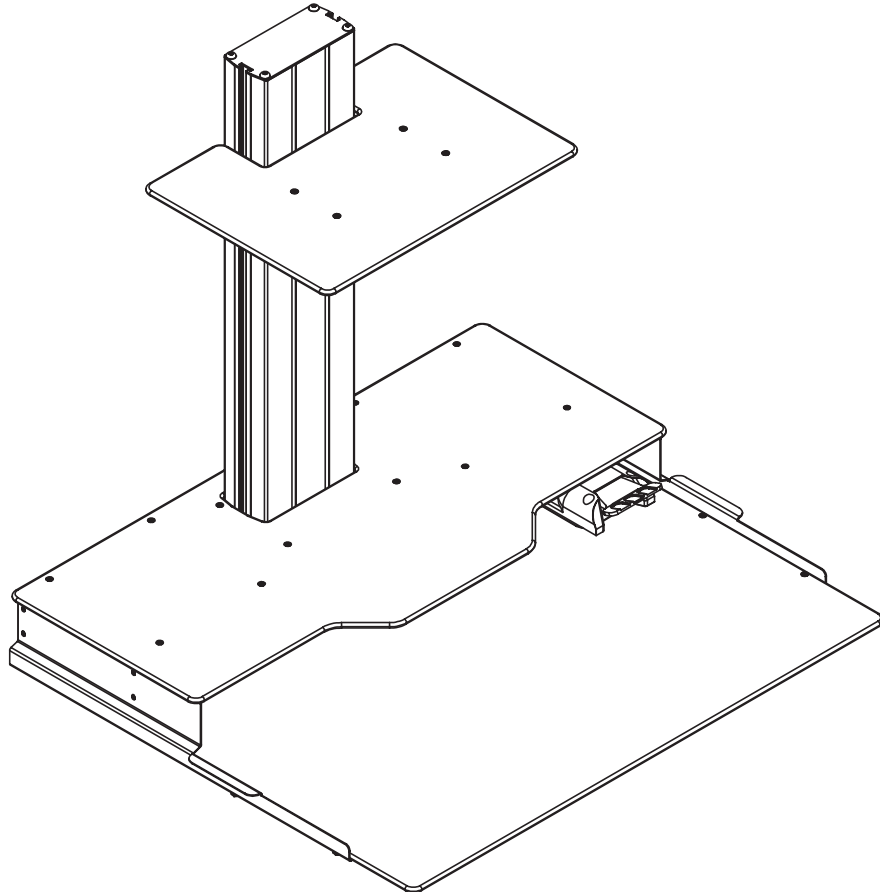




THE DUKE

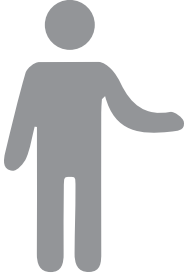
ASSEMBLY INSTRUCTIONS



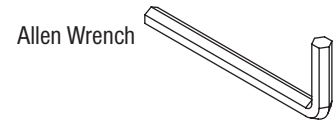
DUKE BASE

btod
.com
BEYOND THE OFFICE DOOR

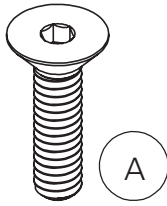
4601 Camp Phillips Rd., Suite C
Schofield, WI 54476



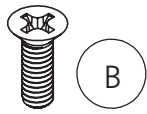
Tools Required for Assembly:



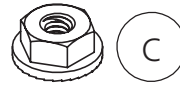
May have extra hardware



53097 x4



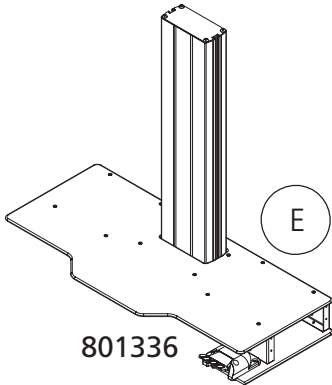
53580 x4



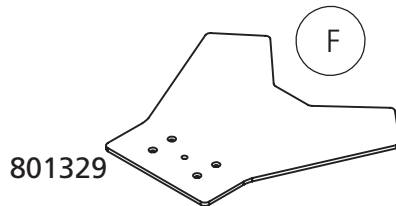
53648 x4



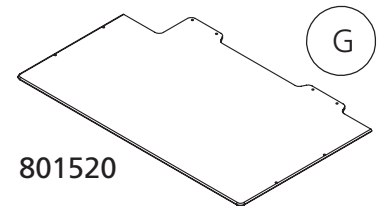
53565 x12



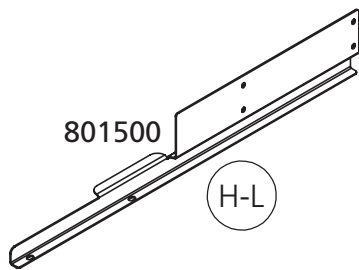
801336



801329

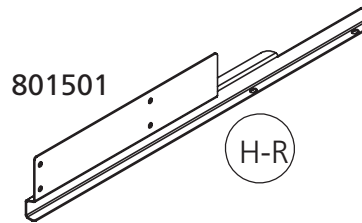


801520



801500

(H-L)



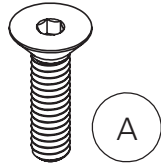
801501

(H-R)

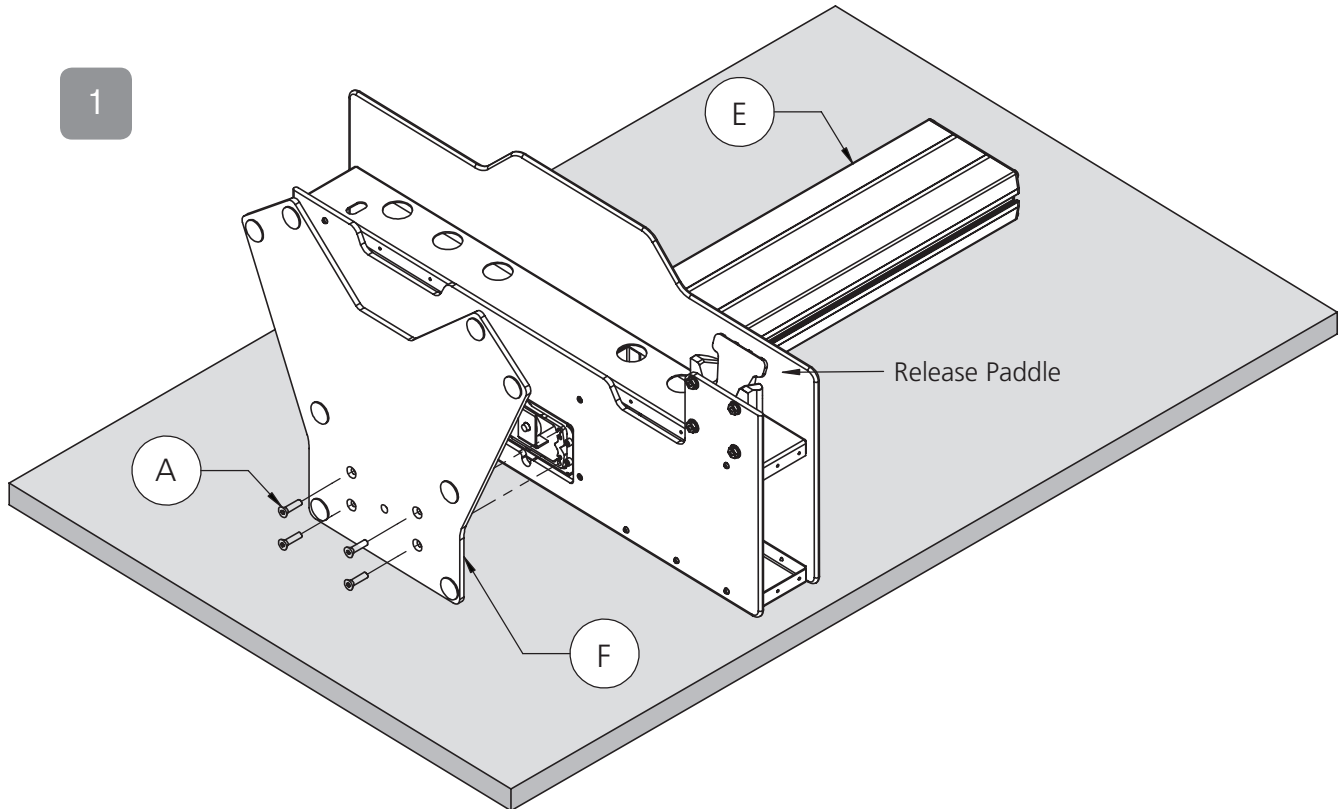


Use Allen Wrench

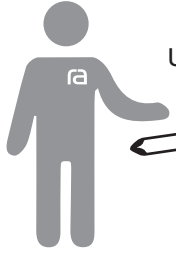
53097 x4



1



**WARNING! DO NOT DEPRESS THE RELEASE PADDLE.
THE COLUMN COULD RISE UP QUICKLY.**

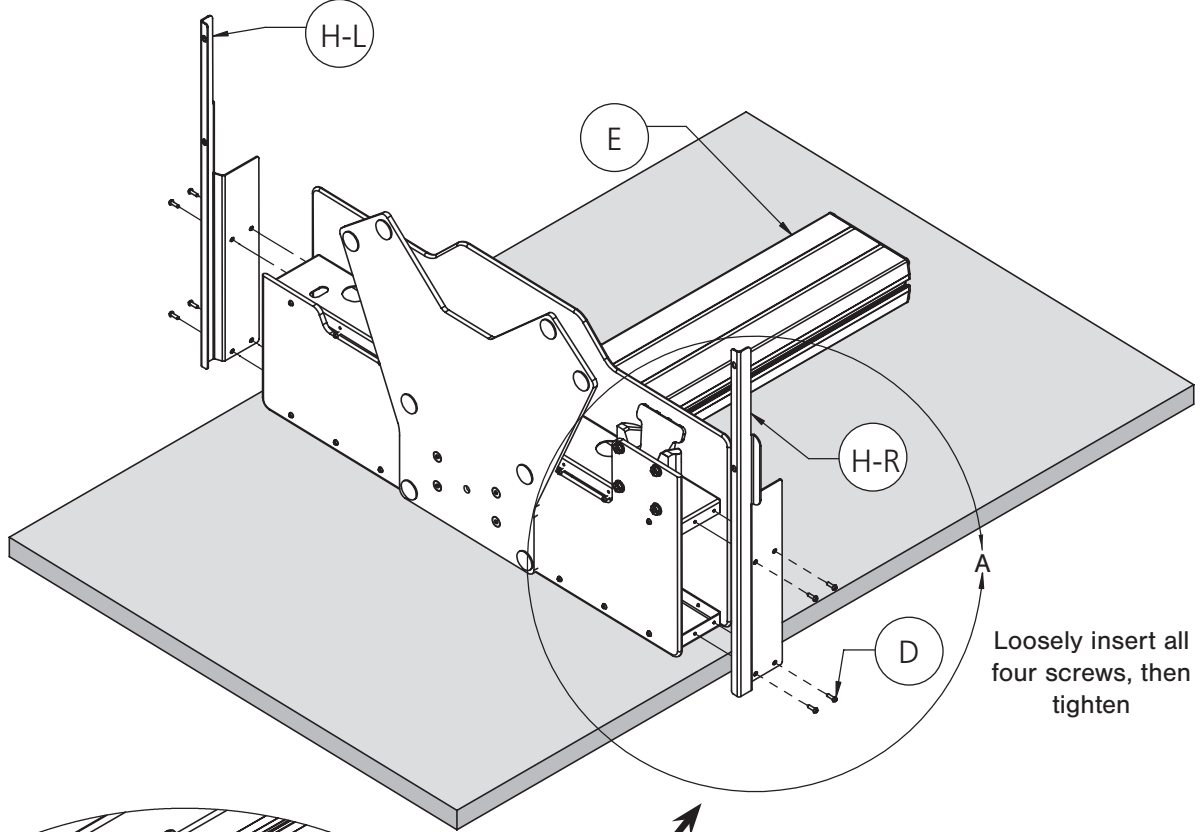


Use Screwdriver

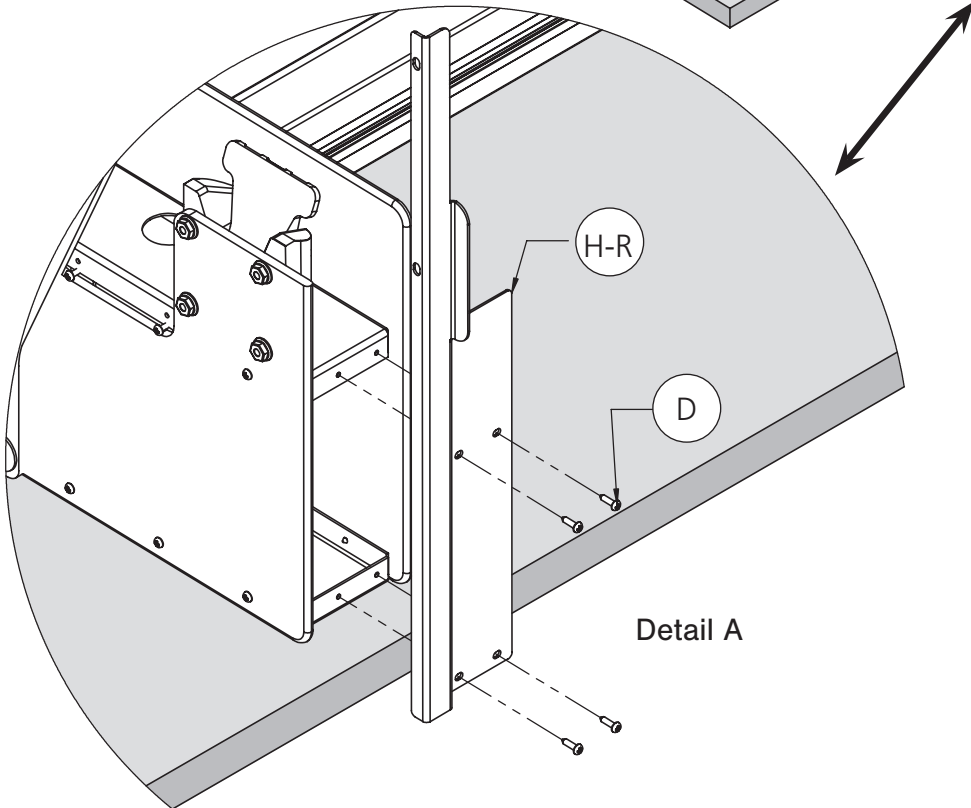
53565 x12



2



Loosely insert all four screws, then tighten

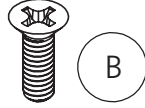


Detail A



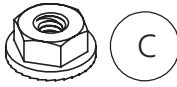
Use Screwdriver

53580 x4



B

53648 x4



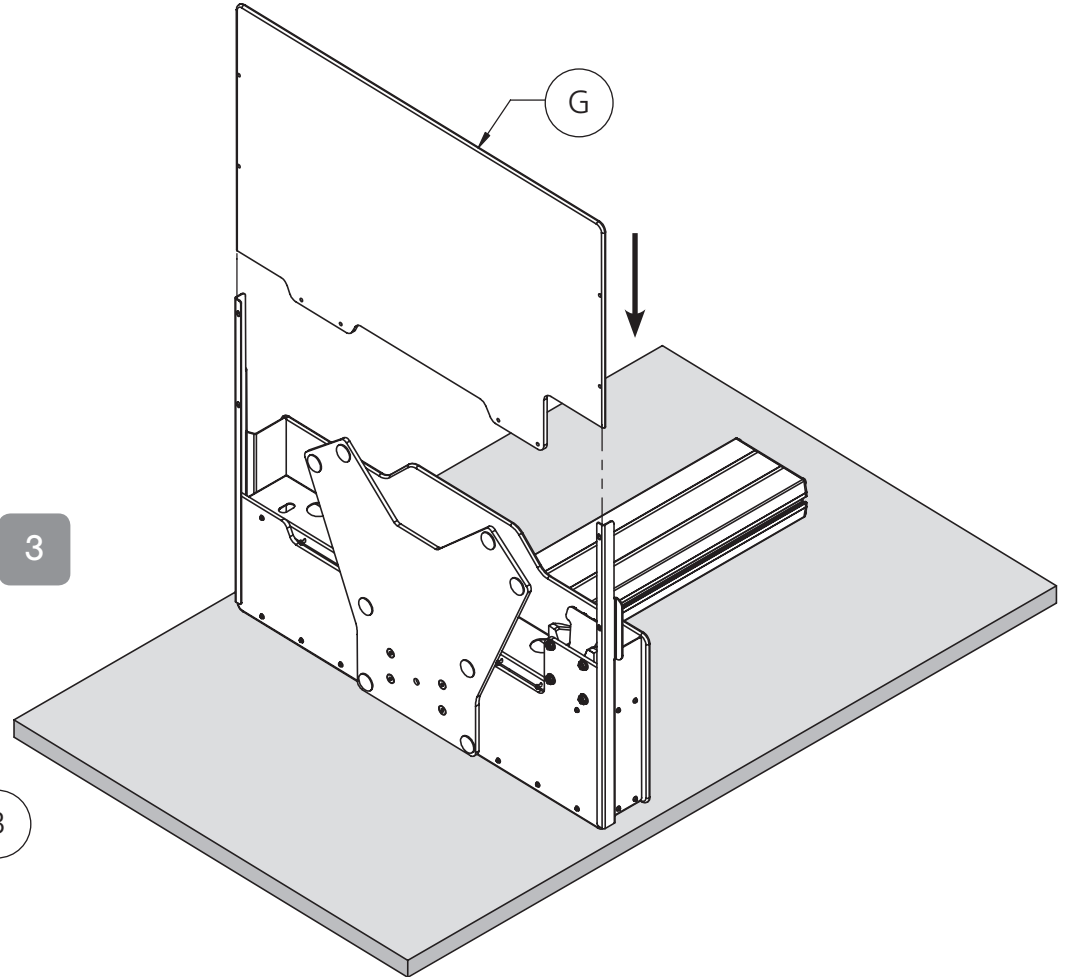
C

53565 x12

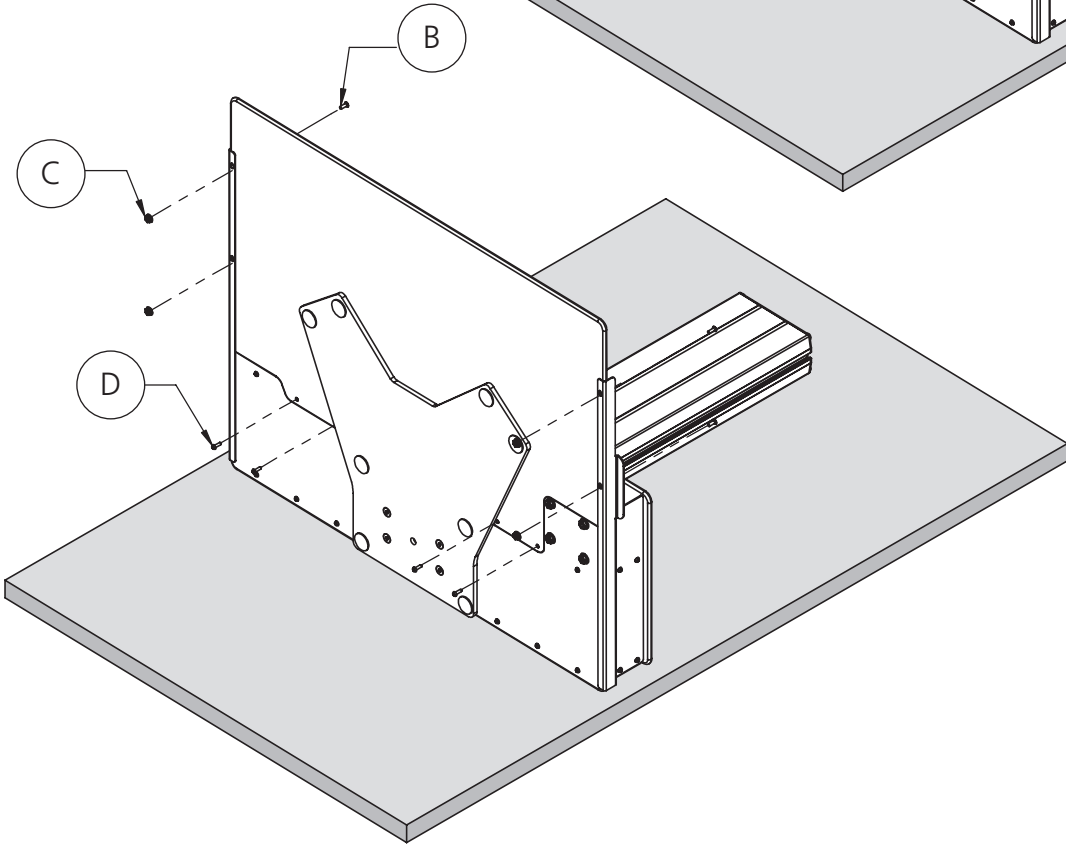


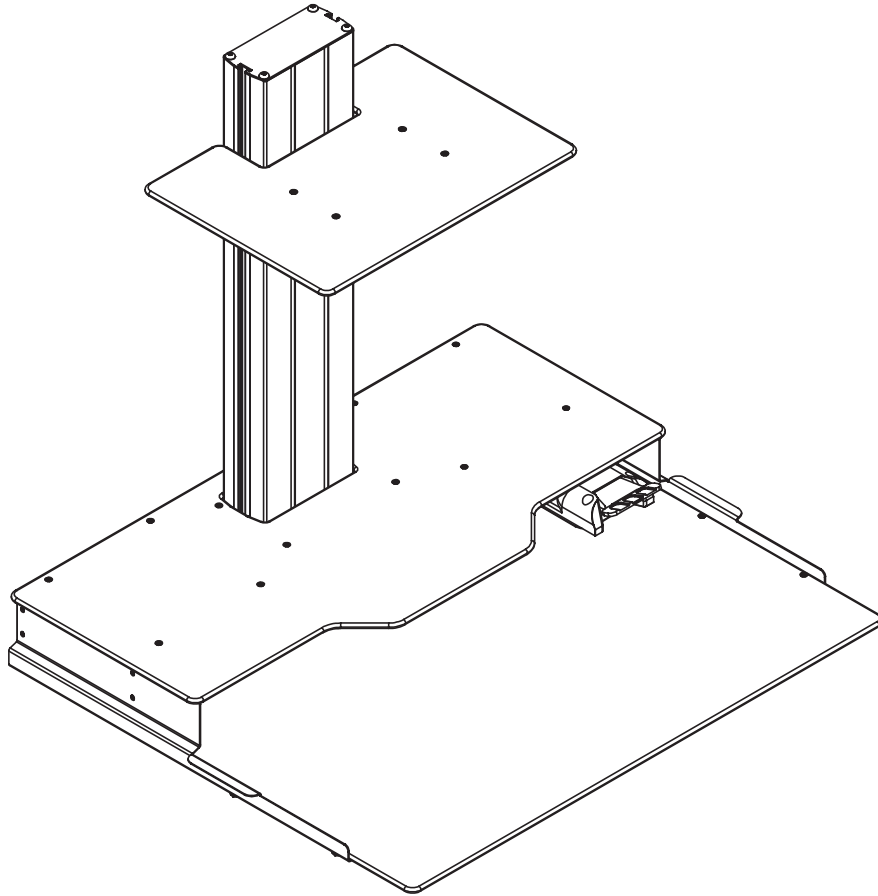
D

3



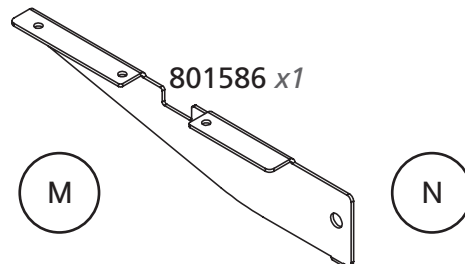
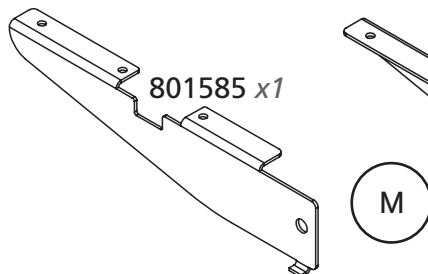
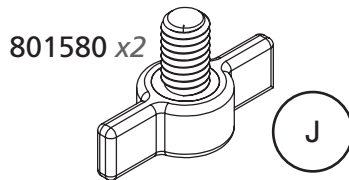
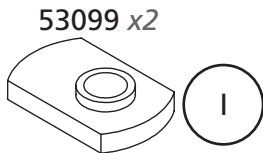
4

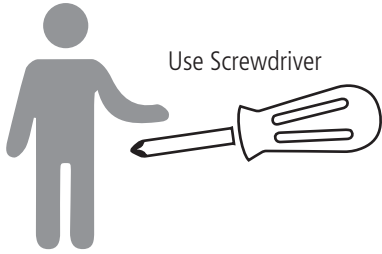




DUKE SINGLE PLATFORM ASSEMBLY

Hardware



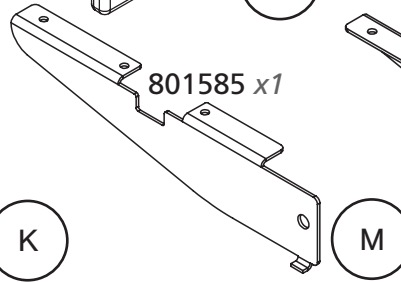
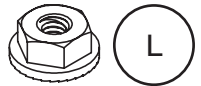
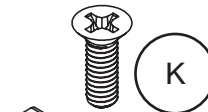
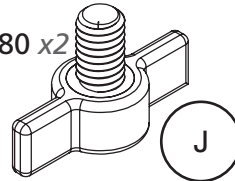
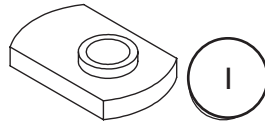


53099 x2

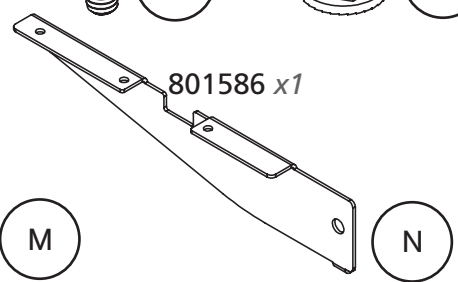
801580 x2

53580 x4

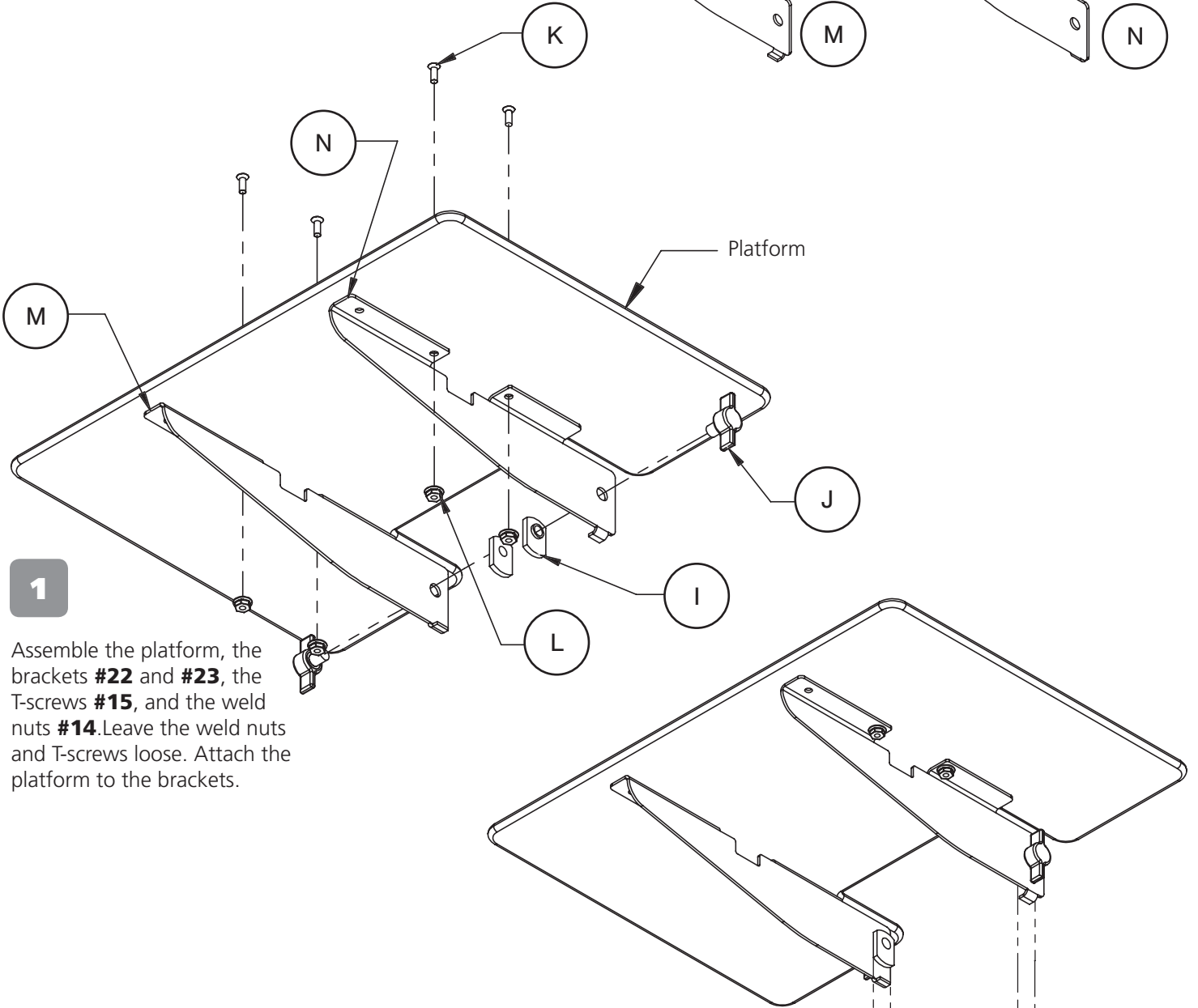
53648 x4



801585 x1



801586 x1



1

Assemble the platform, the brackets **#22** and **#23**, the T-screws **#15**, and the weld nuts **#14**. Leave the weld nuts and T-screws loose. Attach the platform to the brackets.

2

Slide the weld nuts into the grooves on the column assembly.

