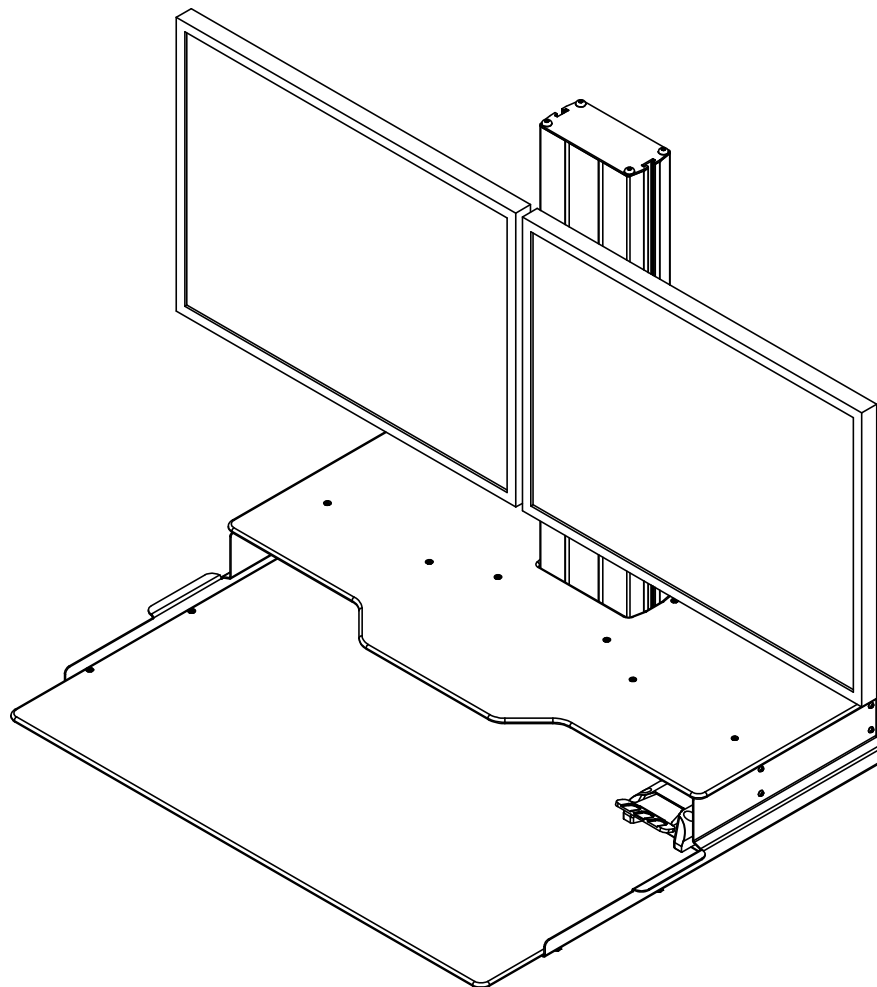




# THE DUKE

## ASSEMBLY INSTRUCTIONS



### DUAL MONITOR

**btod**  
.com  
BEYOND THE OFFICE DOOR

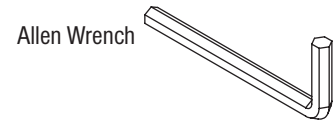
4601 Camp Phillips Rd., Suite C  
Schofield, WI 54476



Tools Required for Assembly:

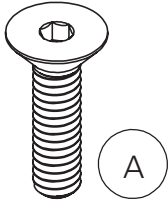


Screwdriver



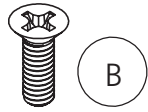
Allen Wrench

May have extra hardware



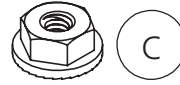
A

53097 x4



B

53580 x4



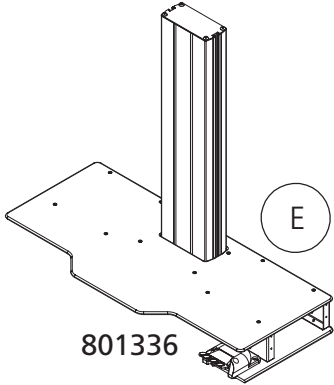
C

53648 x4



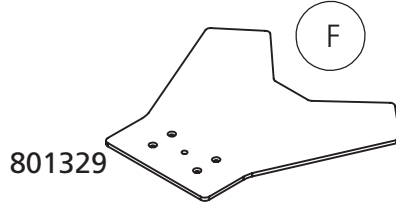
D

53565 x12



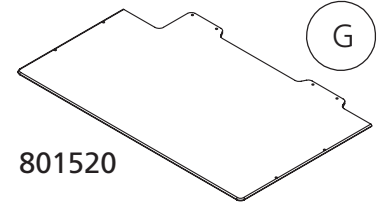
E

801336



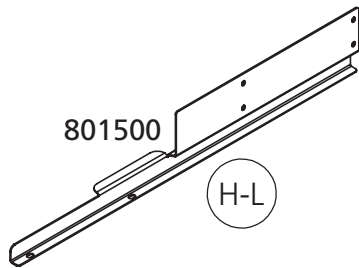
F

801329



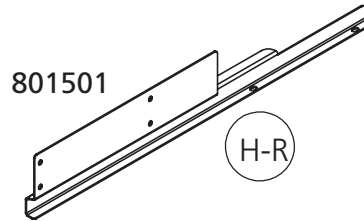
G

801520



H-L

801500



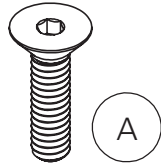
H-R

801501

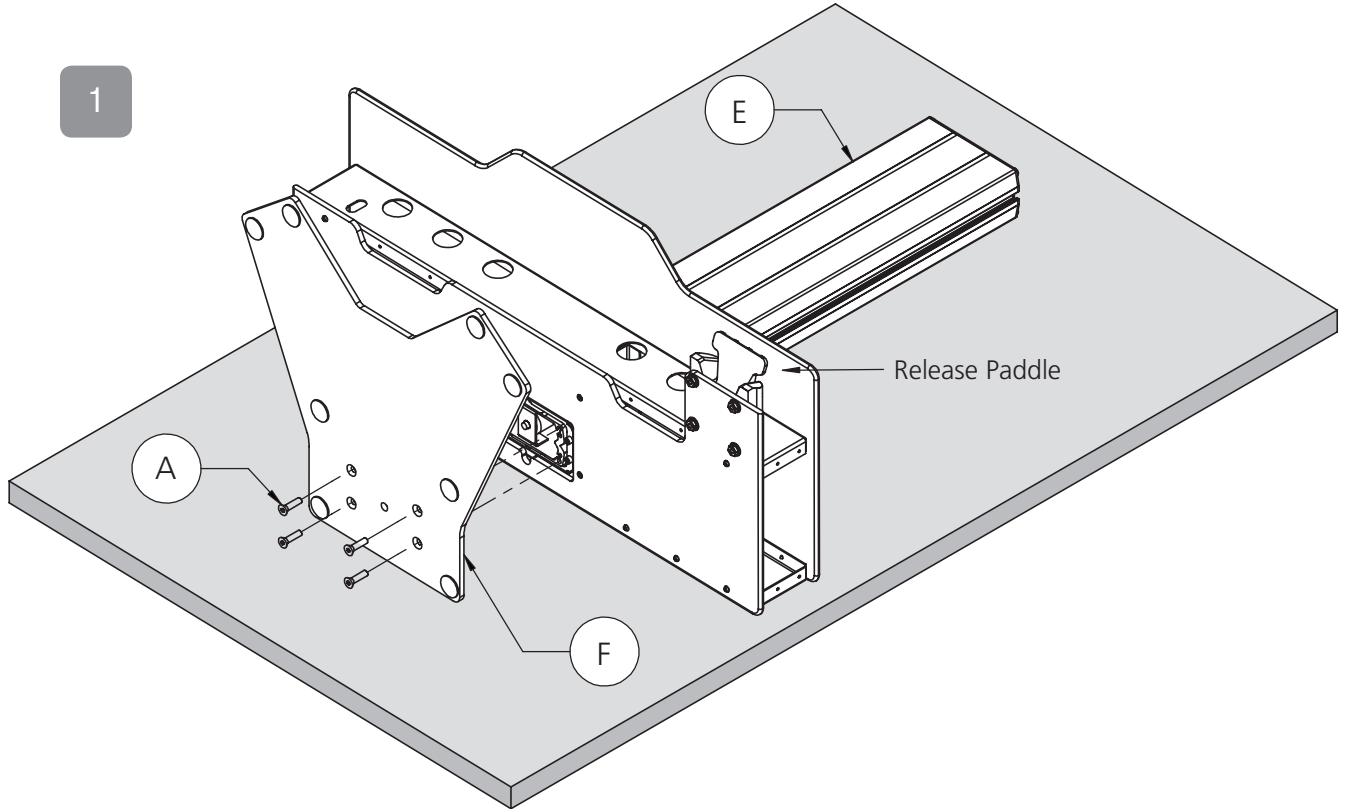


Use Allen Wrench

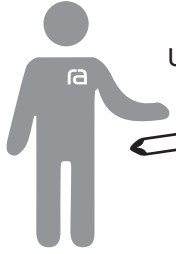
53097 x4



1



**WARNING! DO NOT DEPRESS THE RELEASE PADDLE.  
THE COLUMN COULD RISE UP QUICKLY.**

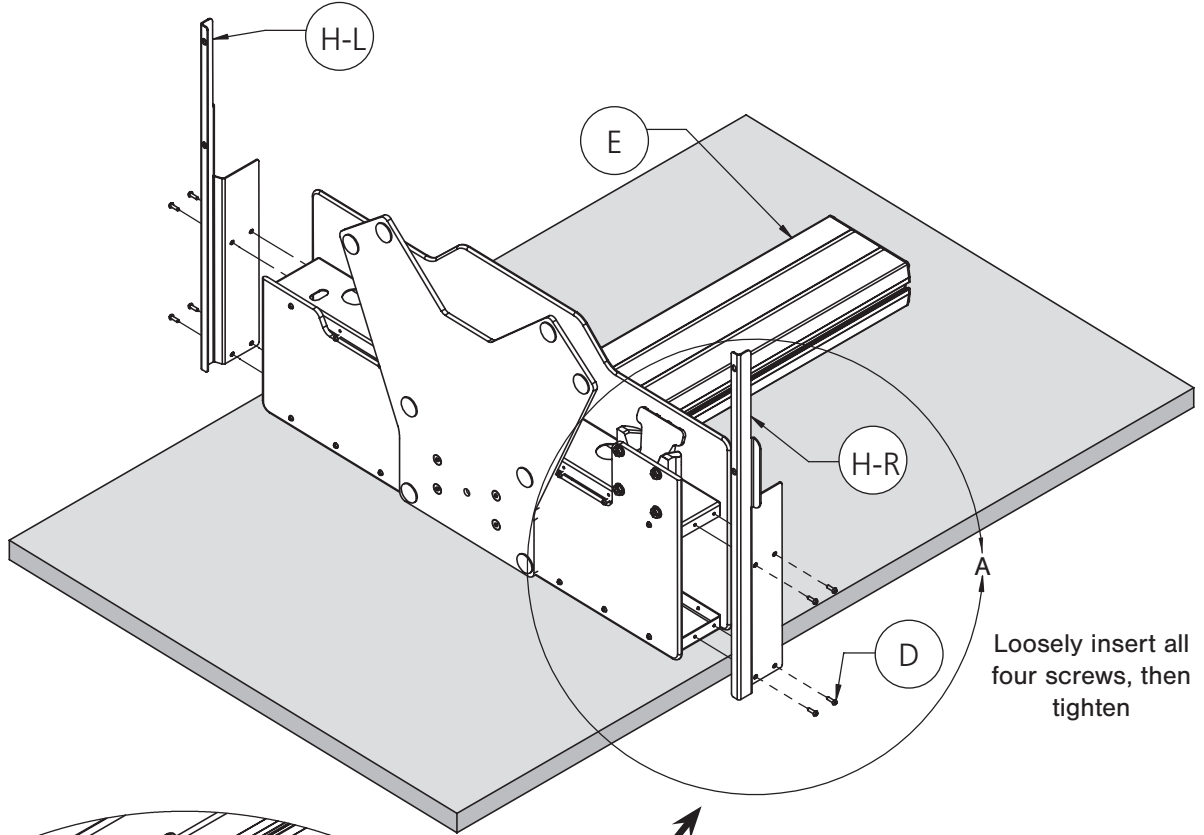


Use Screwdriver

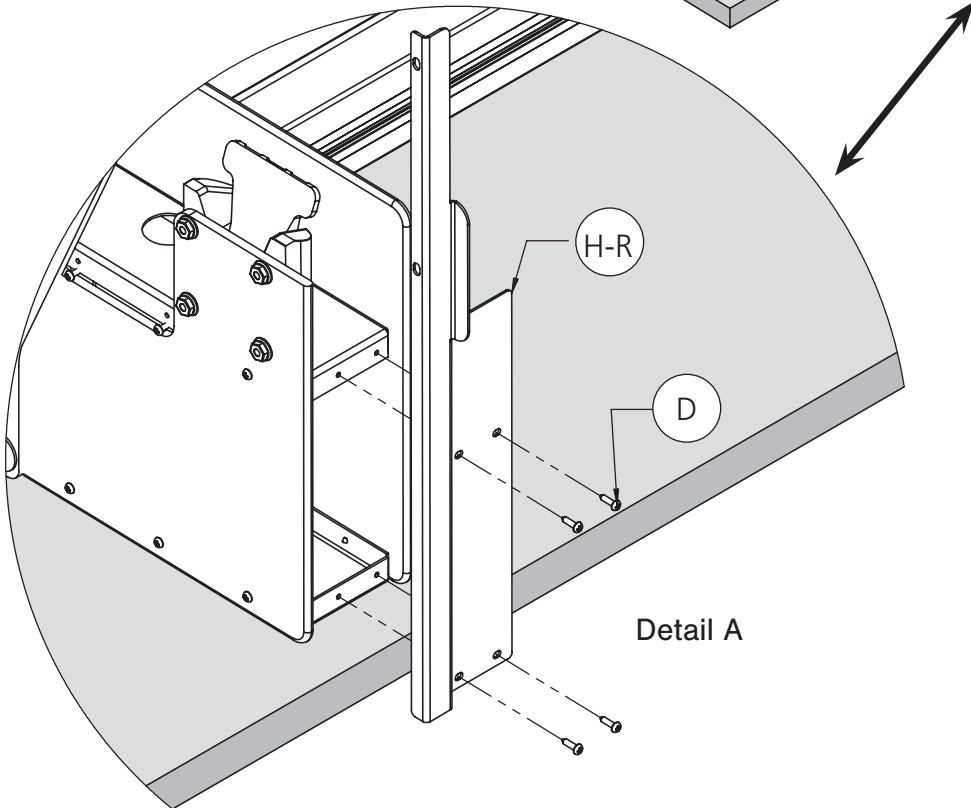
53565 x12



2



Loosely insert all four screws, then tighten

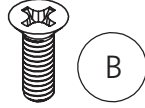


Detail A



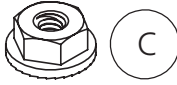
Use Screwdriver

53580 x4



B

53648 x4



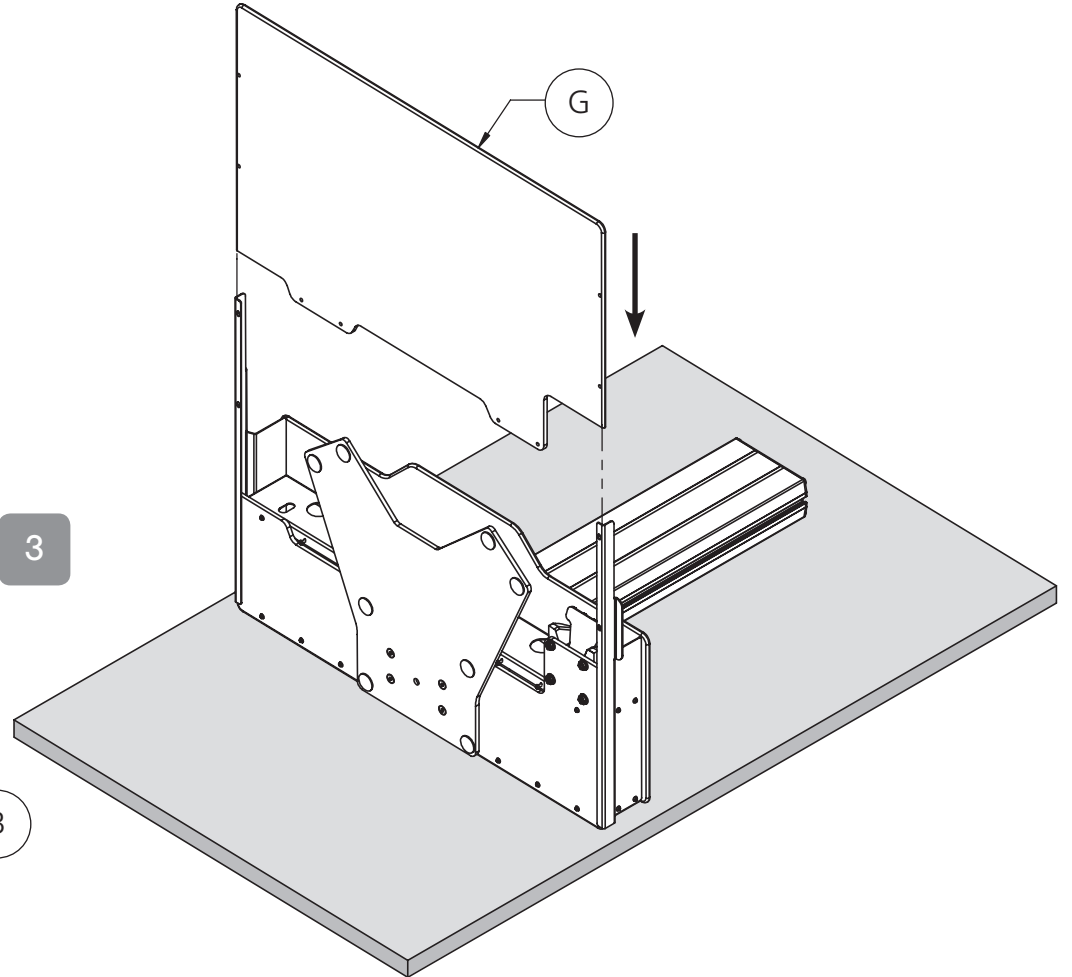
C

53565 x12

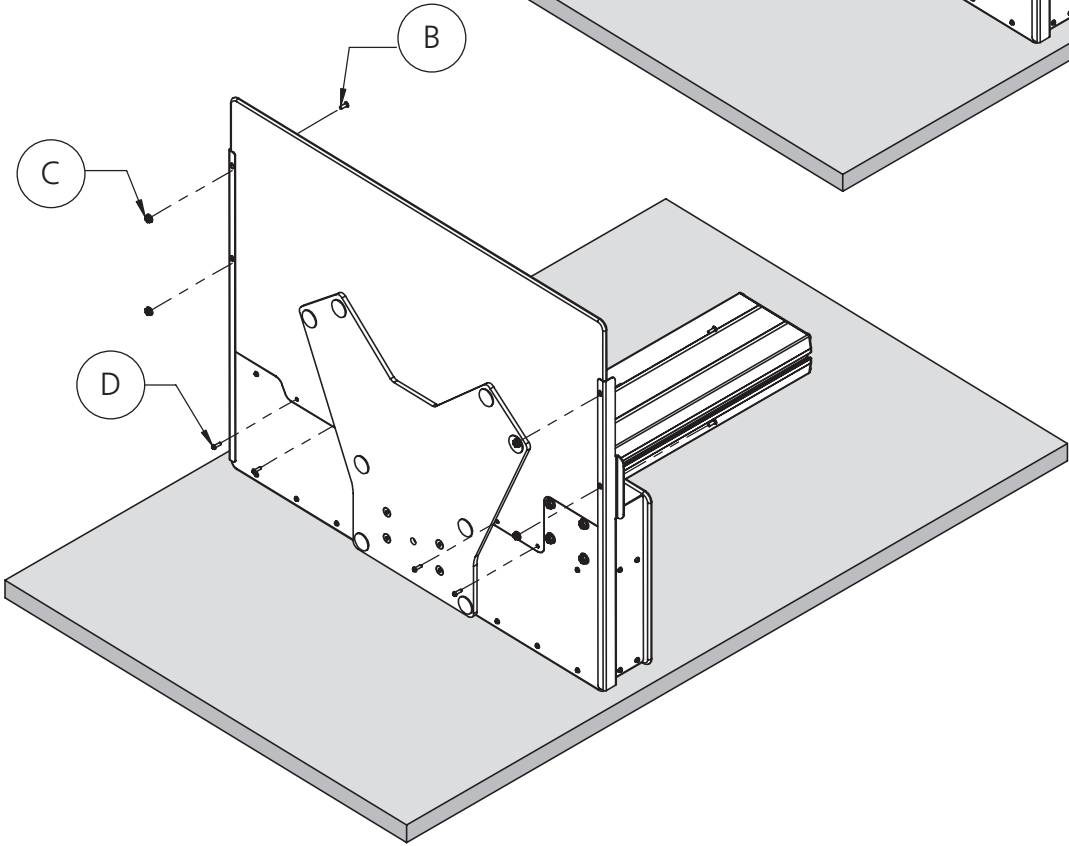


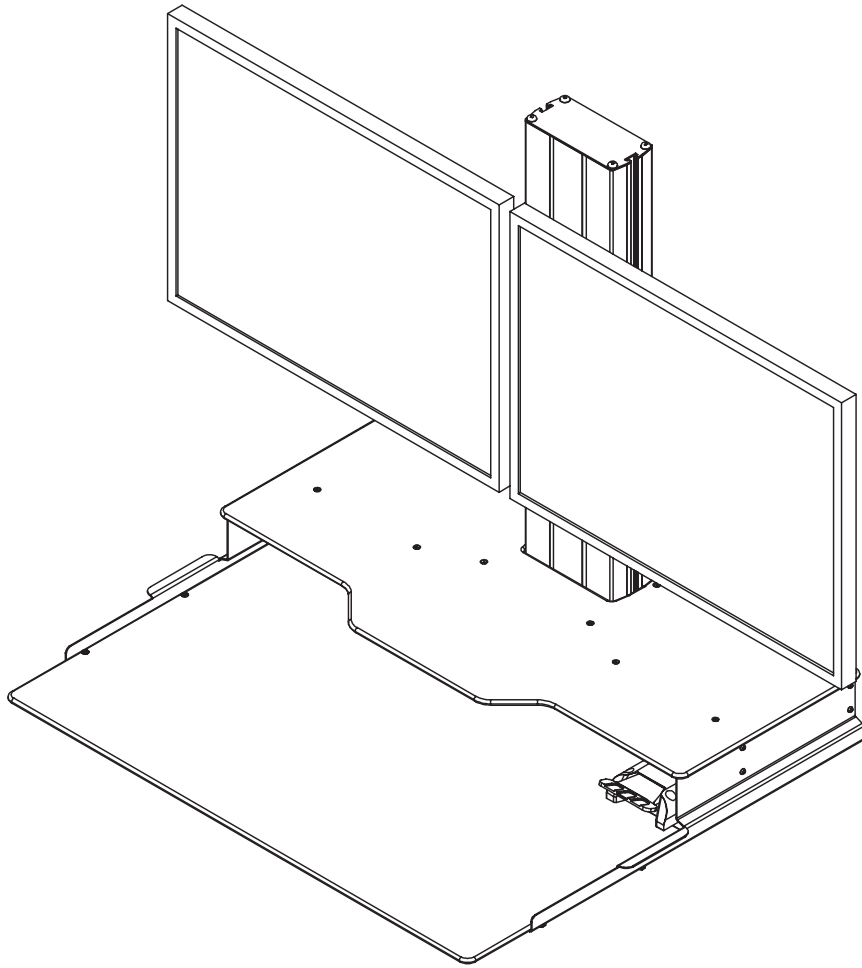
D

3

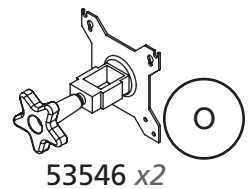
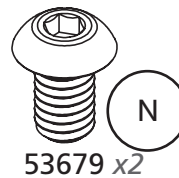
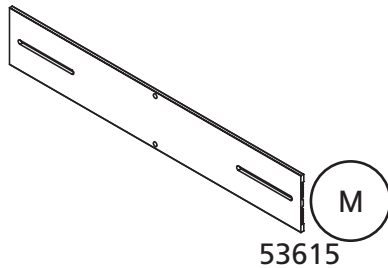
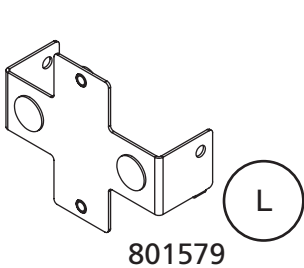
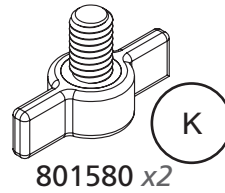
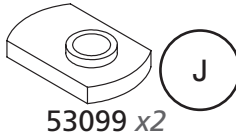


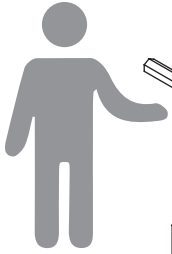
4



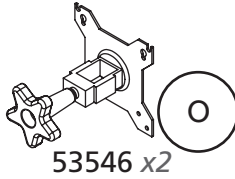
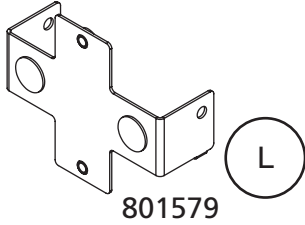
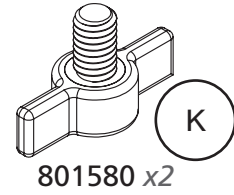
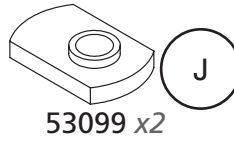


**Hardware (may have extra)**

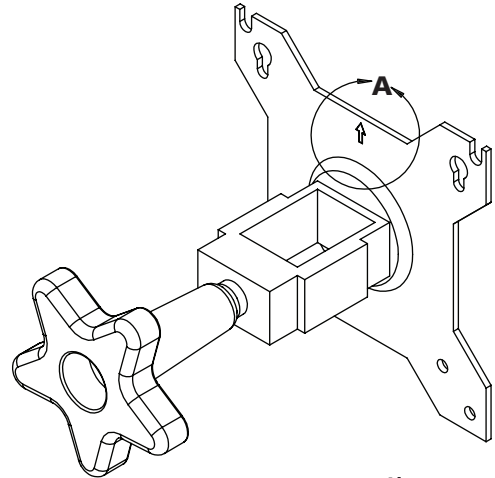
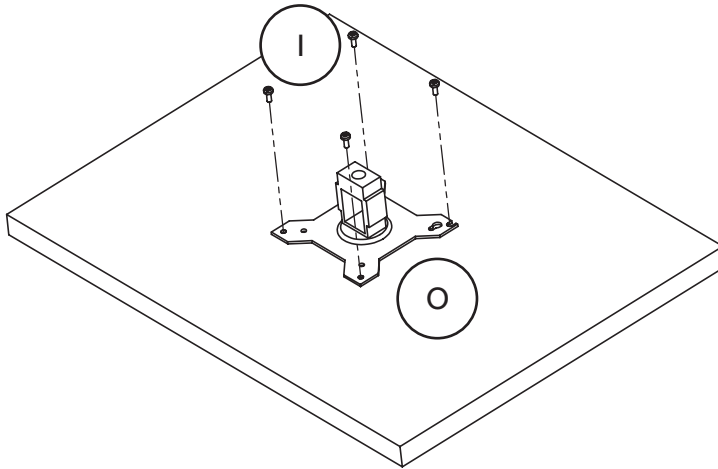




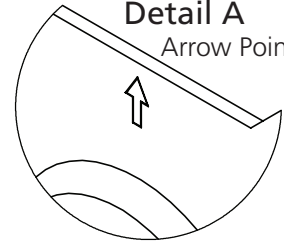
Use Allen Wrench



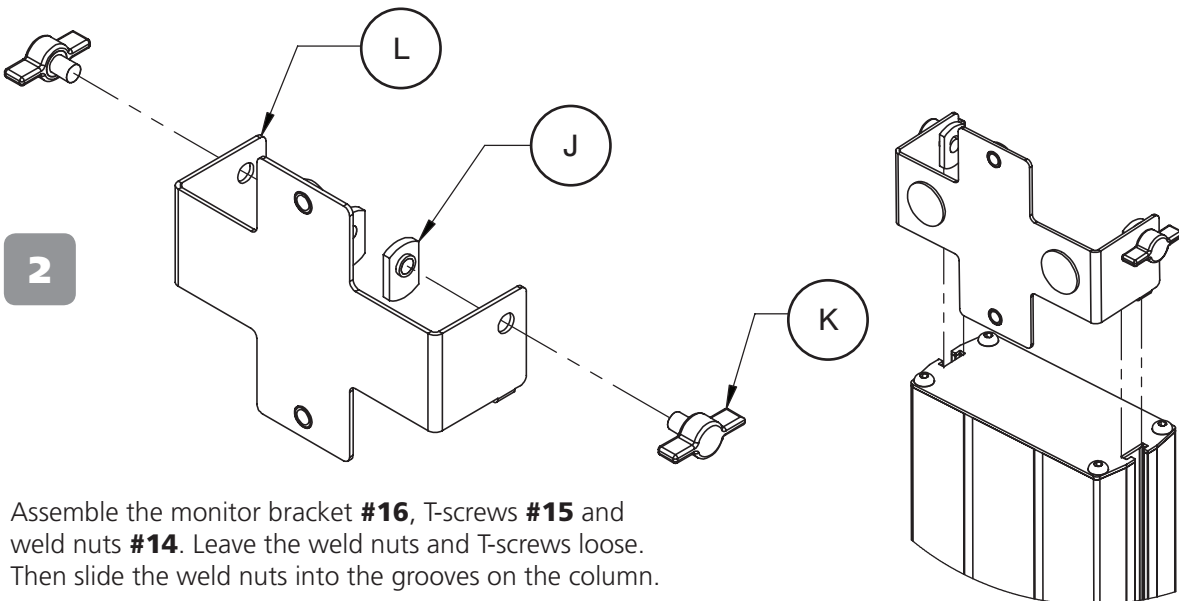
**1**



**Detail A**  
Arrow Points Up



**2**



Assemble the monitor bracket **#16**, T-screws **#15** and weld nuts **#14**. Leave the weld nuts and T-screws loose. Then slide the weld nuts into the grooves on the column.

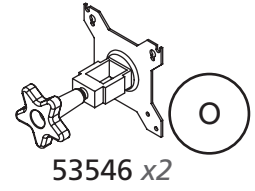
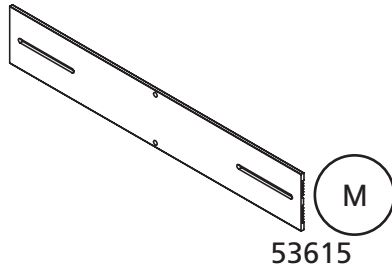
The monitor bracket can be adjusted vertically on the column by loosening the T-screws.



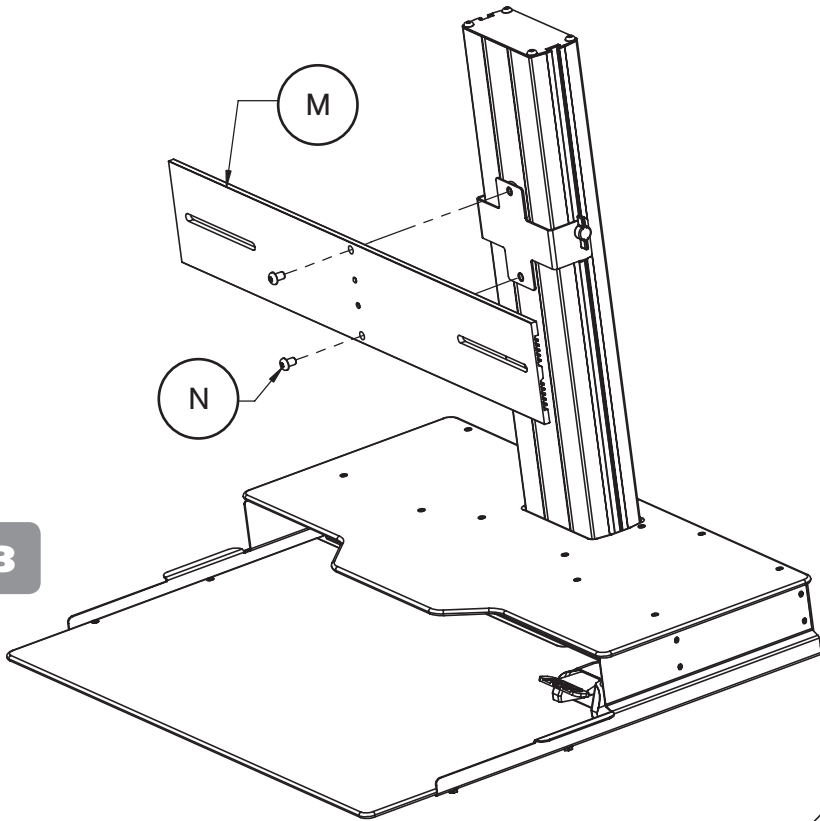
**THE DUKE**  
PUT 'EM UP



Use Allen Wrench



**3**



**4**

