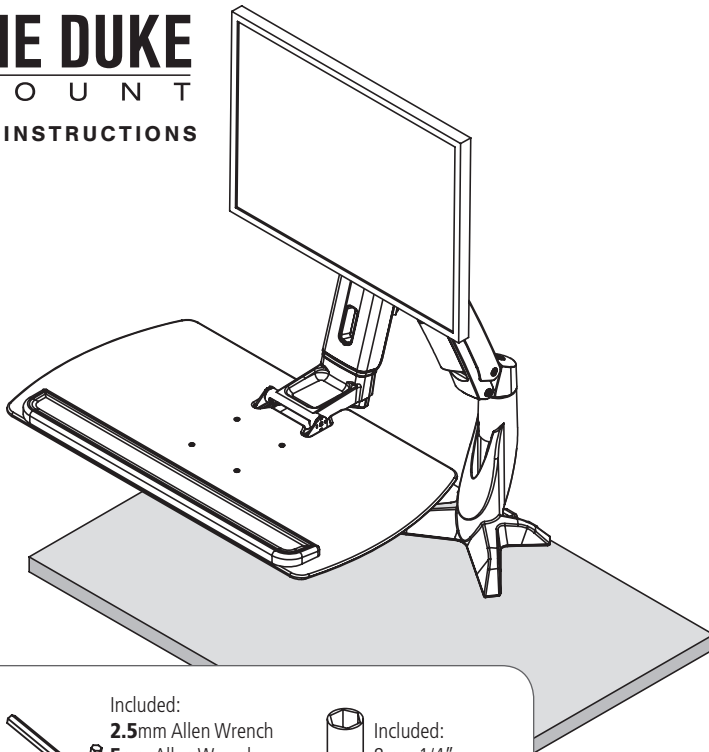




# THE DUKE MOUNT

## ASSEMBLY INSTRUCTIONS



Moving parts without advanced notice can result, crush and cause personal injury! Be cautious when handling.

Make sure the depth of desk is compatible to the optional sit-stand base intended to be installed. Fail to follow the criteria shall result in collision or personal injury.

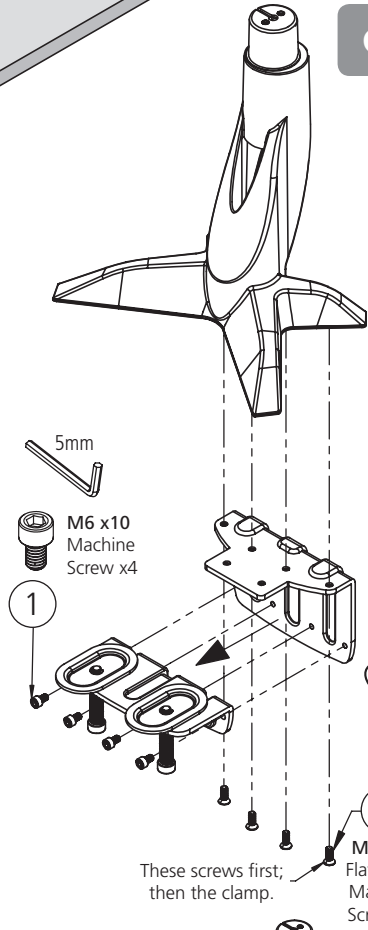
**Tools Required for Assembly:**

- Included: 2.5mm Allen Wrench, 5mm Allen Wrench, 6mm Allen Wrench
- Included: 8mm 1/4" Drive Socket
- Phillips Screwdriver
- Ratchet 1/4" drive and extension

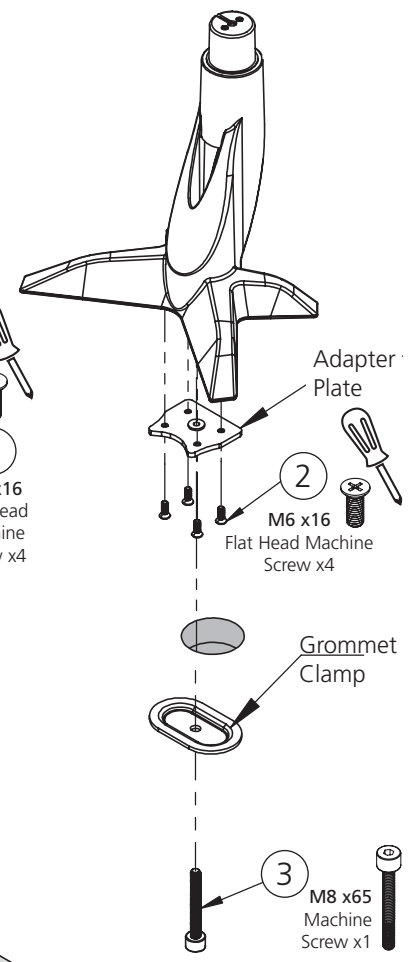
**Hardware (may have extra)**

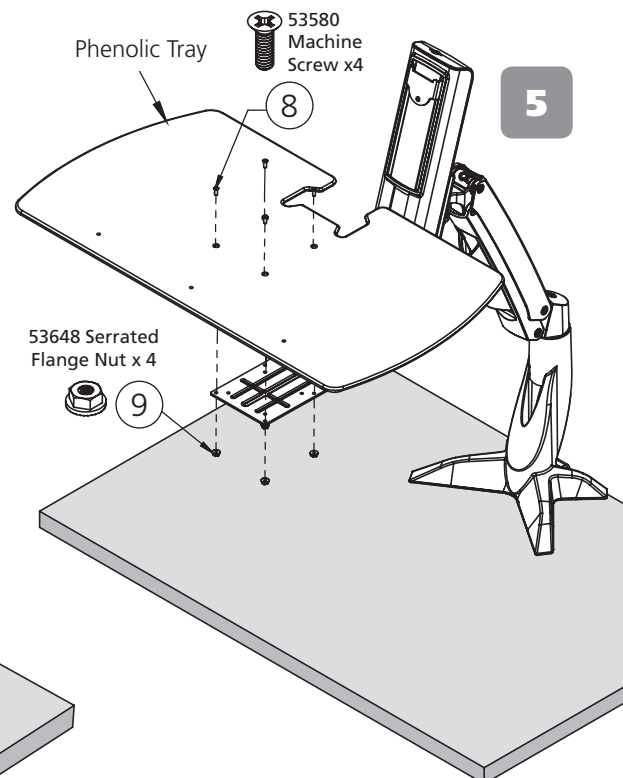
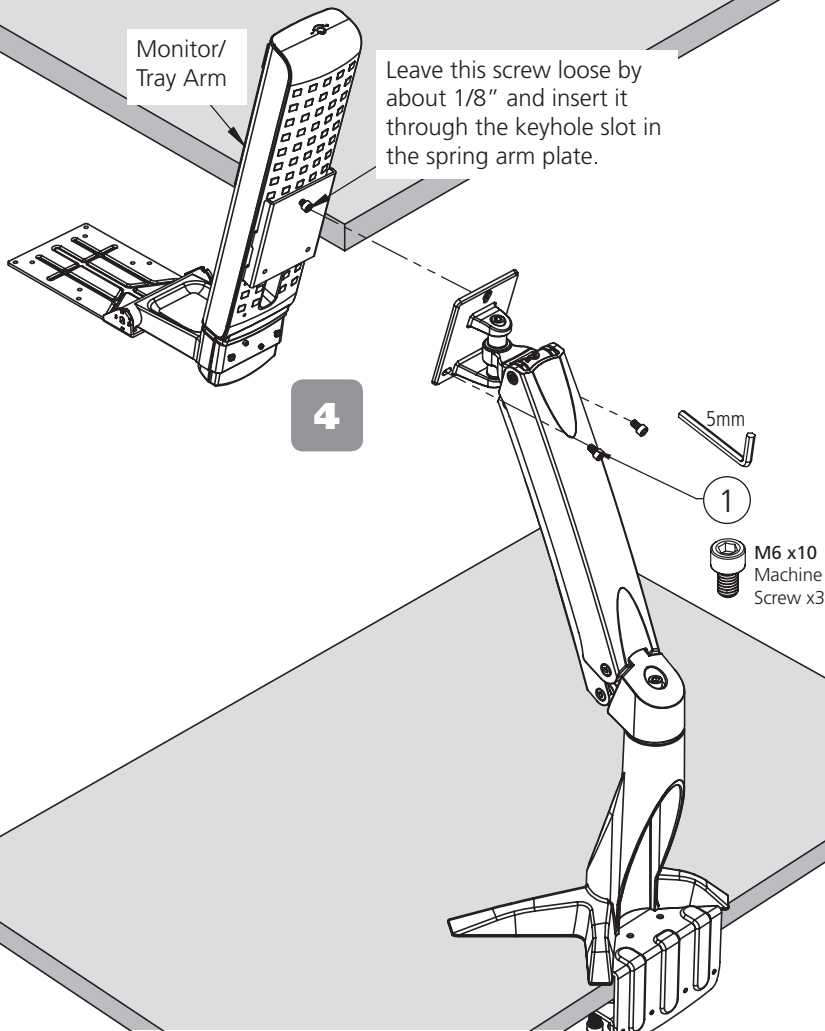
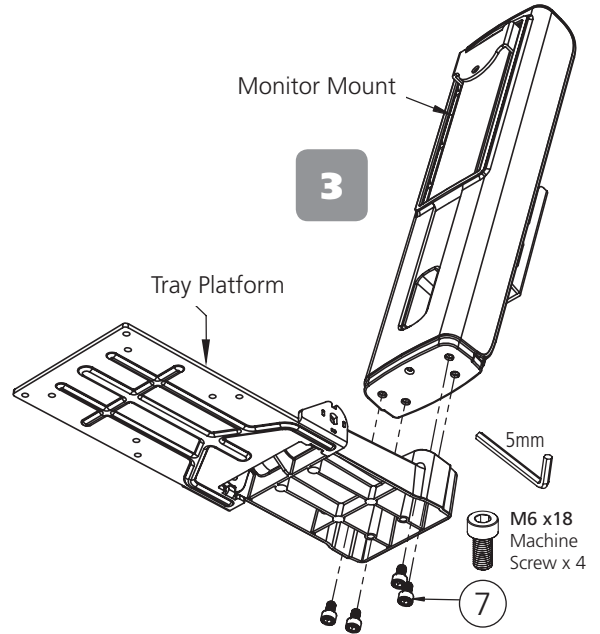
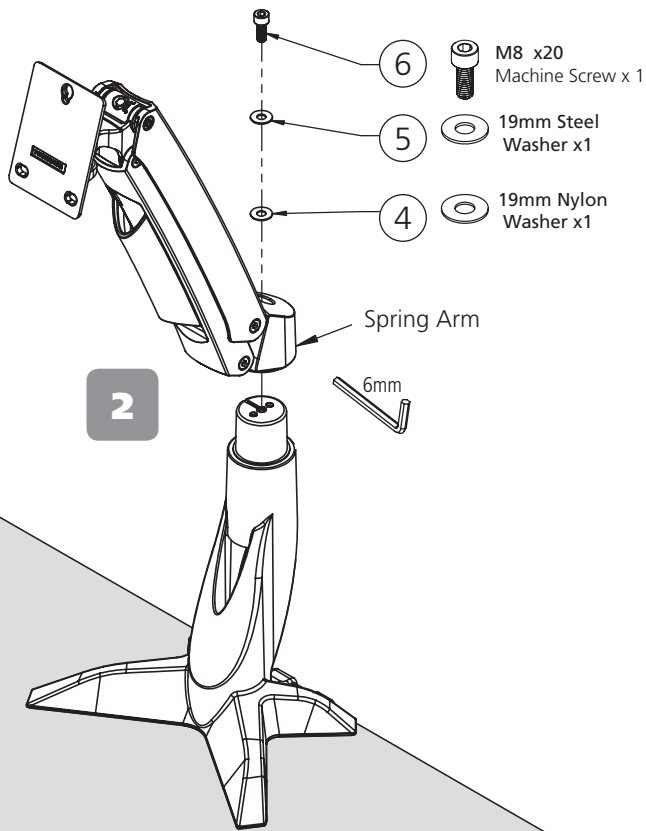
1	2	3
4	5	6
7	8	9
10	11	12

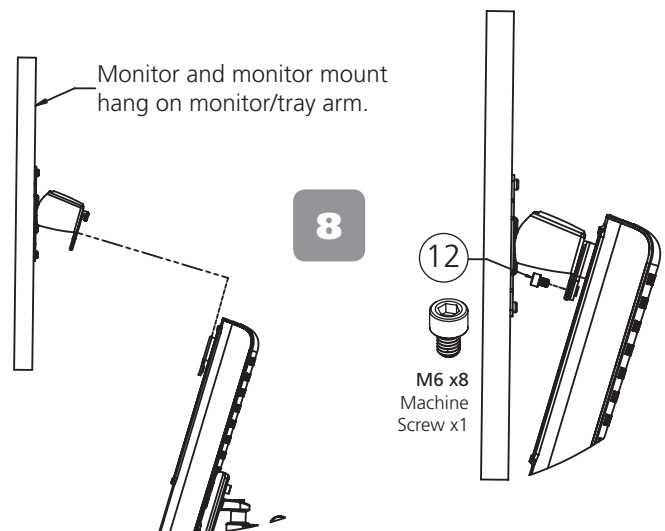
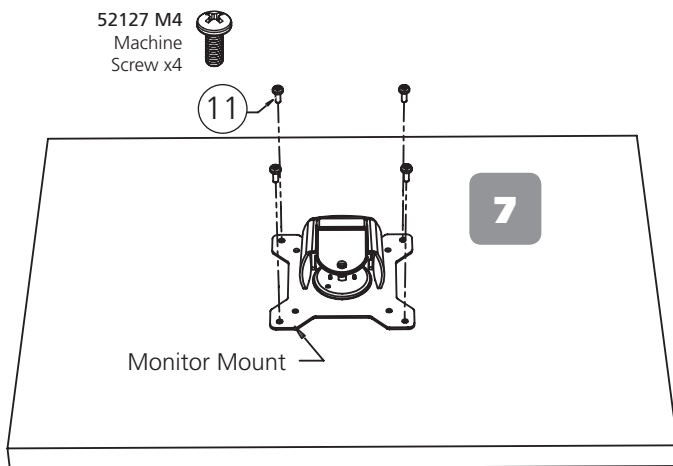
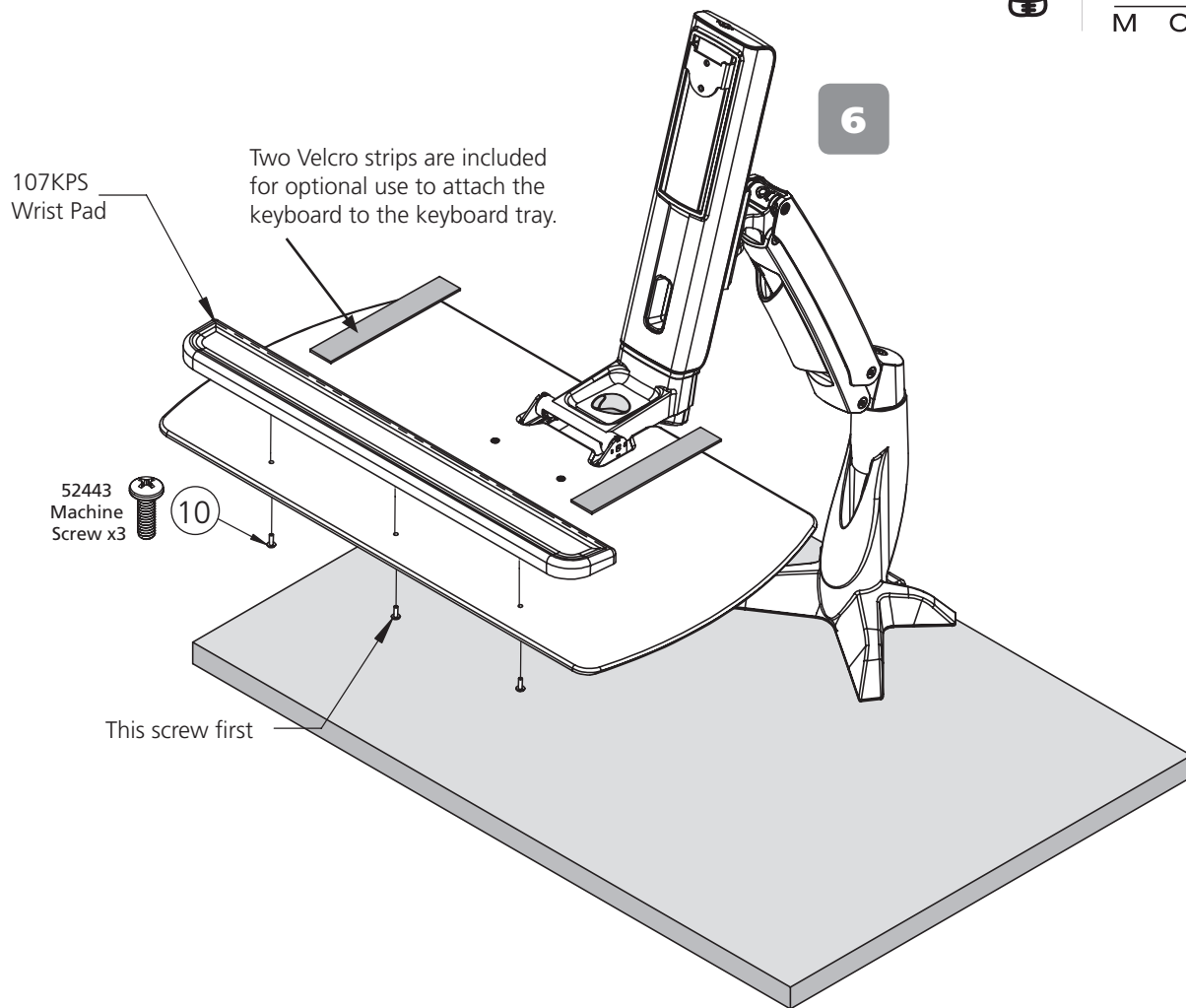
### Clamp 1a



### Grommet 1b



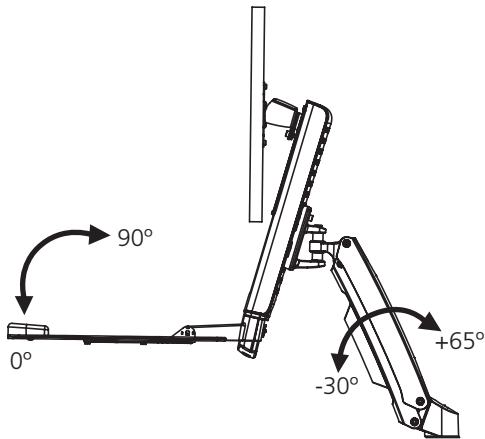




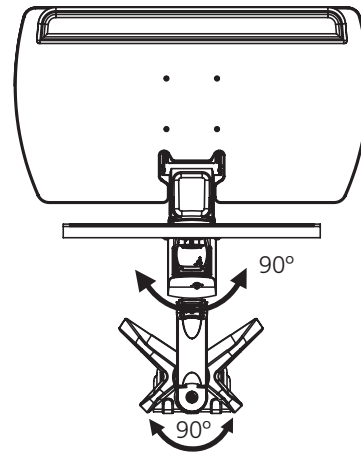


## User Guide

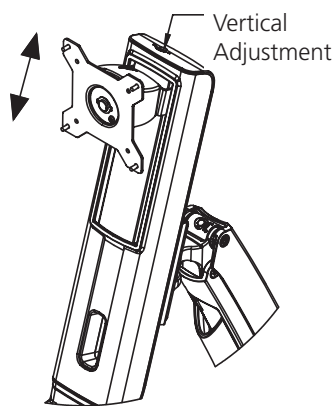
### Tray Tilt & Swing Arm Height Adjustment



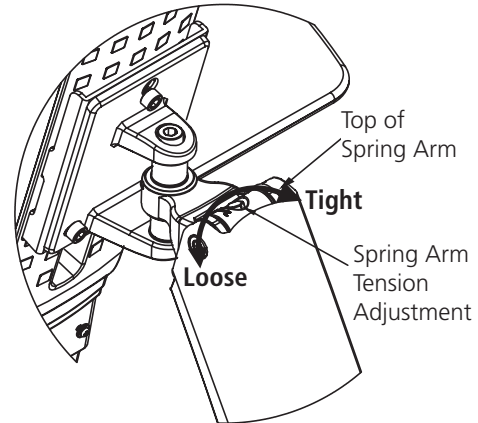
### Arm Swing Adjustment



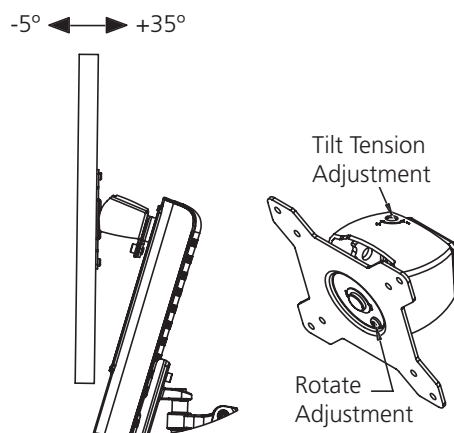
### Vertical Tension Adjustment



### Spring Arm Tension Adjustment



### Single Monitor Tilt Tension Adjustment



### Wire Management

